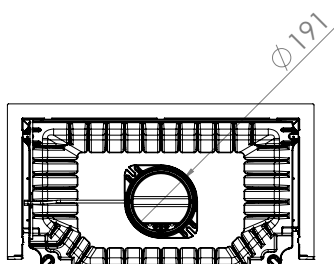
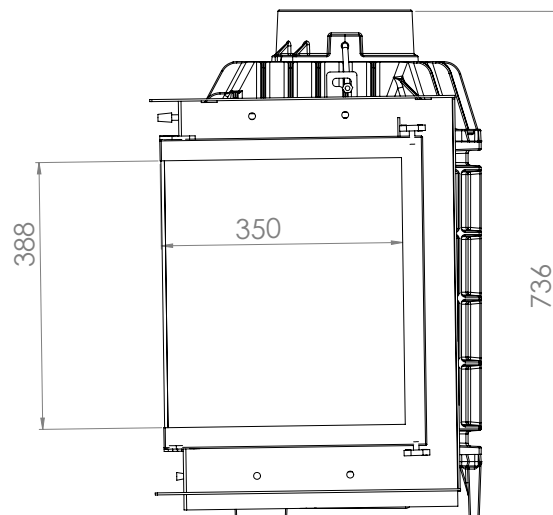
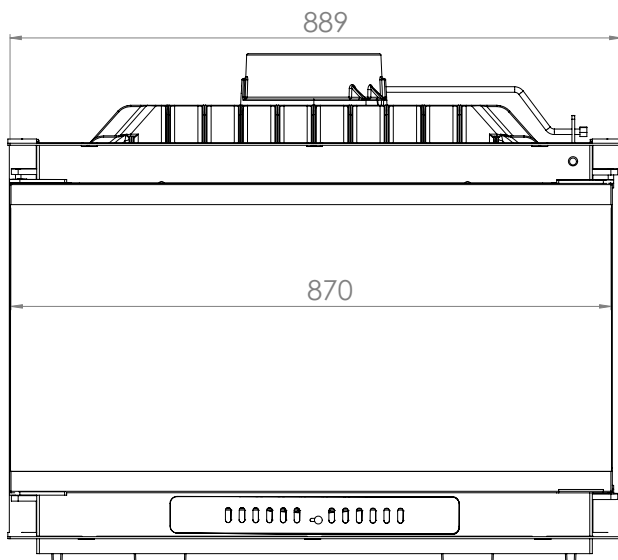


# FONT 800 L R



Model	FONT 800 L R
Nominal power (kW)	18
Heating power range (kW)	11 - 24
Heating efficiency (%)	87
Weight (kg)	200
Material	Cast
Fuel type	Wood
Exhaust outlet diameter (mm)	200
Exhaust gas temperature (°C)	195
Max Wood Length (cm)	60
Glass	Ceramic
Stone	-
Warranty (Year)	5

## Technical drawing



## Certificates

